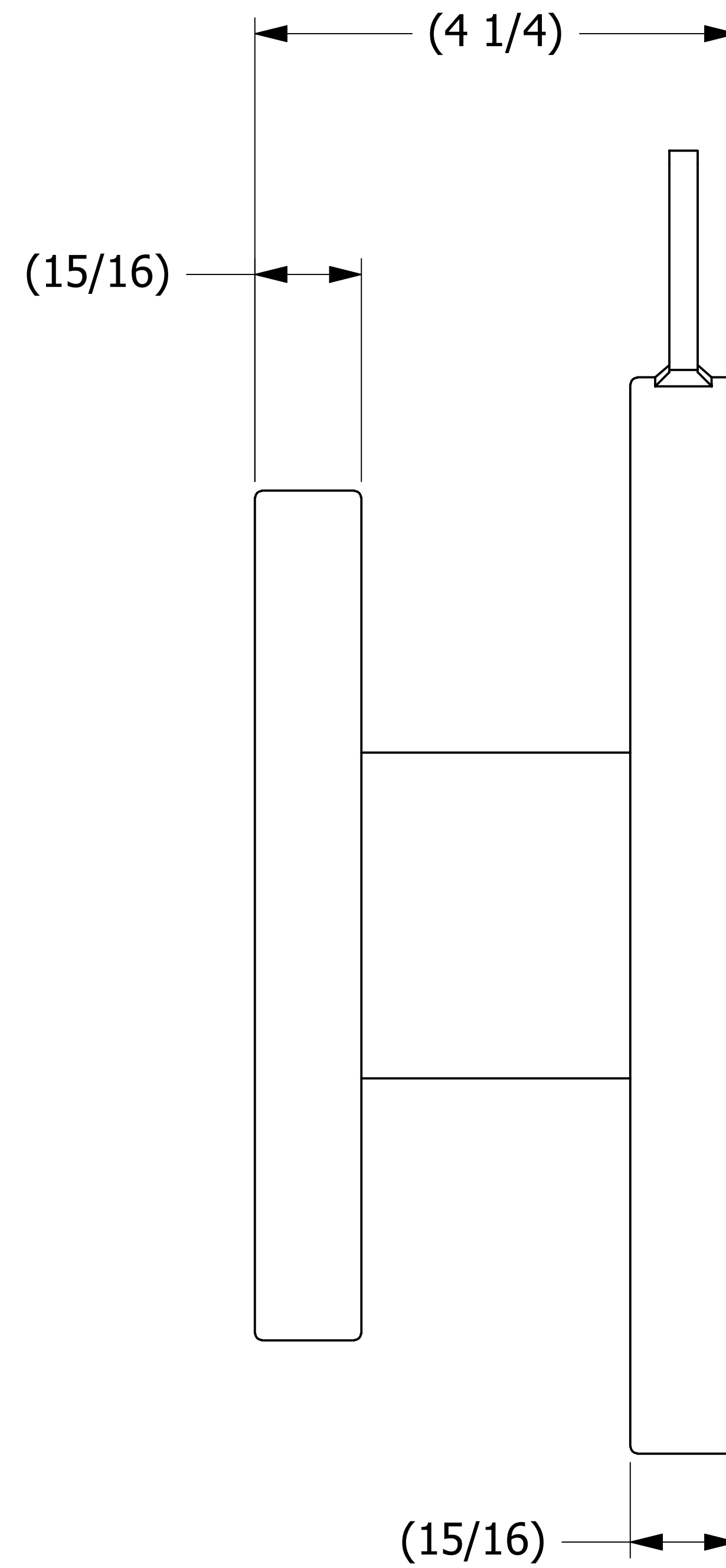
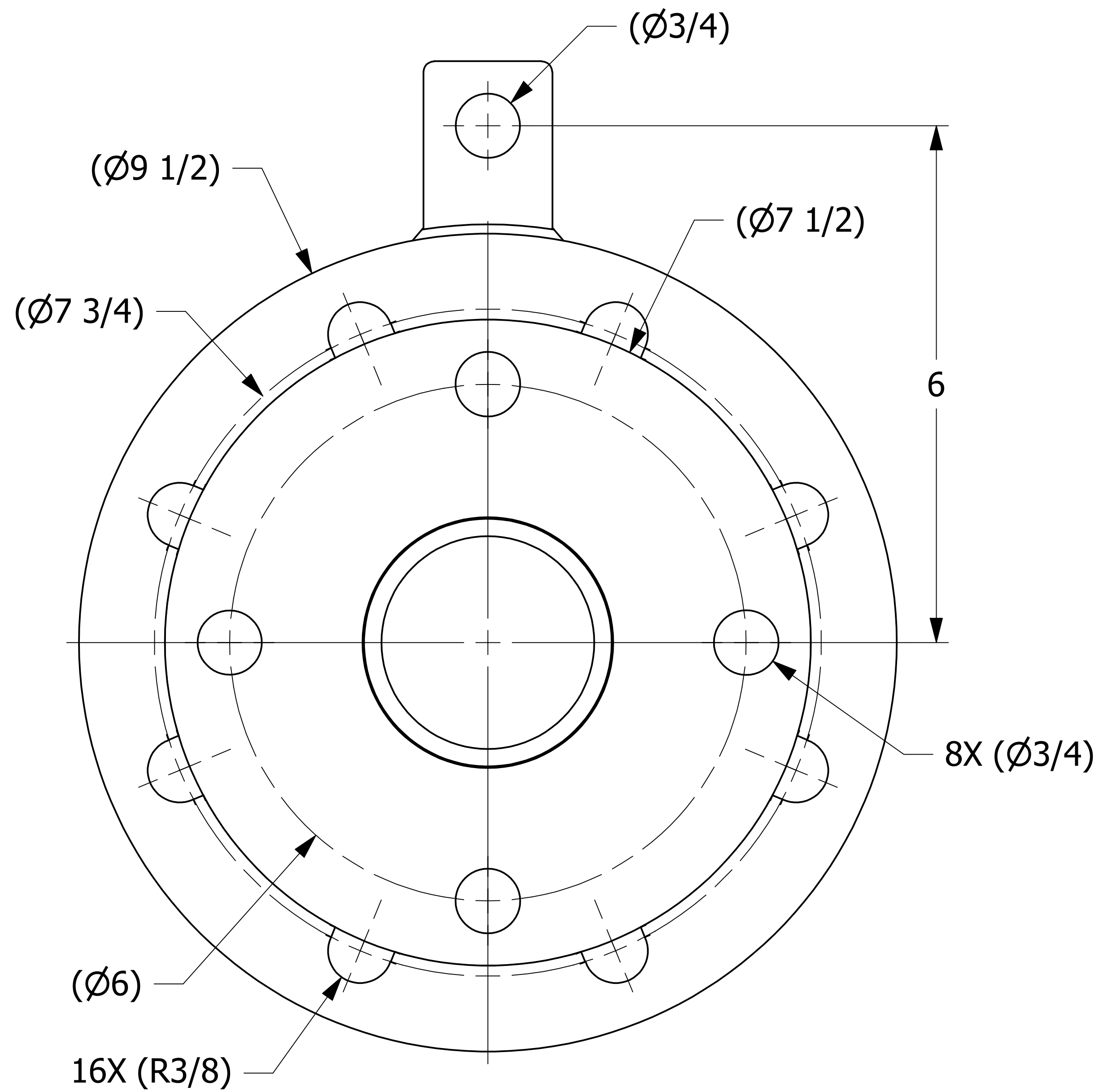


SALES DRAWING

SALES DRAWING



C	VD	12-11-09	REMOVED 2" B.C. HOLES FROM C26126.
B	VD	08-24-09	REPLACED P2S6 WITH P25S40.
A	VD	08-04-09	ADDED PART TO SYSTEM
REV	BY	DATE	DESCRIPTION

UNLESS OTHERWISE SPECIFIED DIMENSIONAL TOLERANCES	DRAWN BY:	CHL
FRACTIONAL: $\pm 1/16$	CHECKED BY:	VD
X.XX: $\pm .03$	PROTOTYPE BY:	CHL
X.XXX: $\pm .015$	PROTOTYPE DATE:	11/10/2008
ANGULAR: $\pm 1^\circ$	APPROVED FOR PRODUCTION BY:	
THIRD ANGLE PROJECTION	PRODUCTION DATE:	

PART NAME: <b>DOUBLE FLANGE 2"X3"X7 3/4"</b>		
MATERIAL: <b>STAINLESS STEEL</b>		
PROJECT #:	080628	SHEET #:
		1 OF 1
DRAWING #:	D26129	SCALE:
		1:1
PART #:	DF2375HCL	

THIS PRINT, PROPERTY OF SALCO PRODUCTS INC, CONTAINS PROPRIETARY INFORMATION AND MUST NOT BE COPIED, REPRODUCED, OR USED DETRIMENTALLY TO OUR INTEREST.

